

# Lembar data produk

Spesifikasi



## circuit breaker EasyPact CVS100BS, 25 kA at 415 VAC, 16 A rating thermal magnetic TM-D trip unit, 3P 3d

LV510930

### Main

Range	EasyPact
Product name	EasyPact CVS
Device short name	CVS100BS
Product or component type	Circuit breaker
Device application	Distribution
Poles description	3P
Protected poles description	3D
Earth leakage protection (Vigi add on)	Without
[In] rated current	16 A at 40 °C
Network type	AC
Suitability for isolation	Yes
Utilisation category	Category A
[Icu] Breaking capacity	25 kA Icu at 440 V AC 50/60 Hz conforming to IEC 60947-2 25 kA Icu at 415 V AC 50/60 Hz conforming to IEC 60947-2 50 kA Icu at 200/240 V AC 50/60 Hz conforming to IEC 60947-2 25 kA Icu at 380/400 V AC 50/60 Hz conforming to IEC 60947-2
Trip unit name	TM-D
Trip unit technology	Thermal-magnetic
Trip unit rating	16 A at 40 °C
Protection type	Instantaneous short-circuit protection Overload protection (long time)

### Complementary

[Uimp] rated impulse withstand voltage	8 kV conforming to EN/IEC 60947-2
Network frequency	50/60 Hz
Breaking capacity code	BS
[Ics] rated service breaking capacity	25 kA at 200/240 V AC 50/60 Hz conforming to IEC 60947-2 17 kA at 380/400 V AC 50/60 Hz conforming to IEC 60947-2
Mechanical durability	13000 cycles
Electrical durability	4000 cycles 415 V In conforming to IEC 60947-2
Control type	Toggle

<b>Thermal protection adjustment range</b>	11.2...16 A
<b>Long time pick-up adjustment type Ir</b>	Adjustable
<b>Long time pick-up adjustment range</b>	0.7...1 x In
<b>Long time delay adjustment type</b>	Fixed
<b>Instantaneous pick-up adjustment type li</b>	Fixed
<b>Instantaneous pick-up adjustment range</b>	190 A
<b>Contact position indicator</b>	Yes
<b>Mounting mode</b>	Fixed
<b>Mounting support</b>	Backplate
<b>Upside connection</b>	Front
<b>Downside connection</b>	Front
<b>Connections - terminals</b>	Screw connection
<b>Connection pitch</b>	35 mm
<b>Compatibility code</b>	CVS100
<b>Width</b>	75 mm
<b>Depth</b>	60 mm
<b>Height</b>	130 mm
<b>Product weight</b>	0.78 kg

## Environment

<b>Standards</b>	IEC 60947-2
<b>Product certifications</b>	GOST CCS CCC
<b>Electrical shock protection class</b>	Class II
<b>Pollution degree</b>	3 conforming to IEC 60664-1
<b>IP degree of protection</b>	IP40
<b>Ambient air temperature for operation</b>	-25...70 °C
<b>Ambient air temperature for storage</b>	-50...85 °C

## Packing Units

<b>Unit Type of Package 1</b>	PCE
<b>Number of Units in Package 1</b>	1
<b>Package 1 Height</b>	9.5 cm
<b>Package 1 Width</b>	8 cm
<b>Package 1 Length</b>	14 cm
<b>Package 1 Weight</b>	808 g
<b>Unit Type of Package 2</b>	S02
<b>Number of Units in Package 2</b>	12
<b>Package 2 Height</b>	15 cm

Package 2 Width	30 cm
Package 2 Length	40 cm
Package 2 Weight	9.931 kg
Unit Type of Package 3	P12
Number of Units in Package 3	384
Package 3 Height	75 cm
Package 3 Width	80 cm
Package 3 Length	120 cm
Package 3 Weight	328 kg

## Offer Sustainability

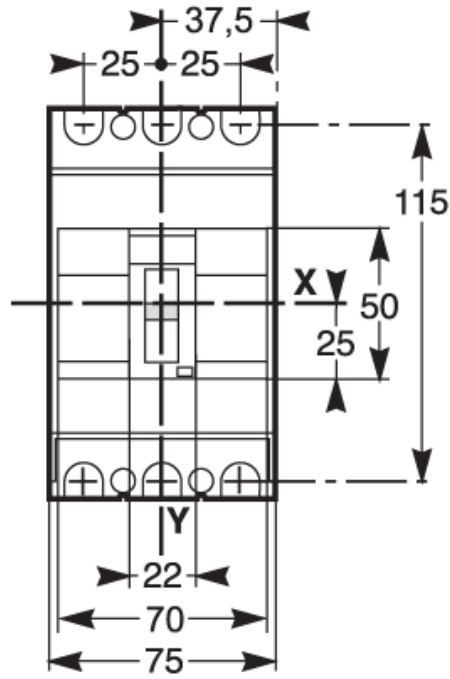
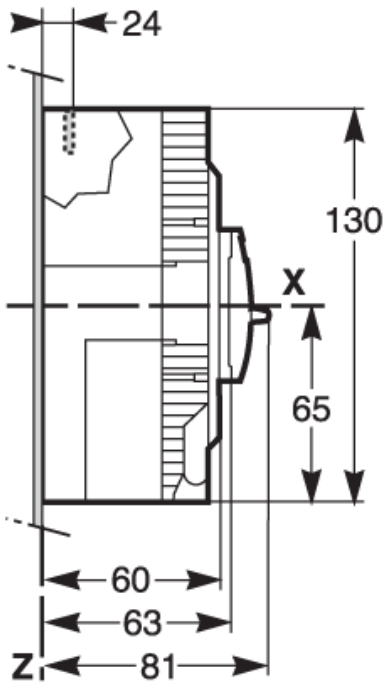
Sustainable offer status	Green Premium product
REACH Regulation	<a href="#">REACH Declaration</a>
EU RoHS Directive	Compliant <a href="#">EU RoHS Declaration</a>
Mercury free	Yes
China RoHS Regulation	<a href="#">China RoHS declaration</a> Product out of China RoHS scope. Substance declaration for your information
RoHS exemption information	Yes
Environmental Disclosure	<a href="#">Product Environmental Profile</a>
Circularity Profile	<a href="#">End of Life Information</a>
WEEE	The product must be disposed on European Union markets following specific waste collection and never end up in rubbish bins

## Contractual warranty

Warranty	18 months
----------	-----------

**Lembar data produk**  
Dimensions Drawings

**LV510930**

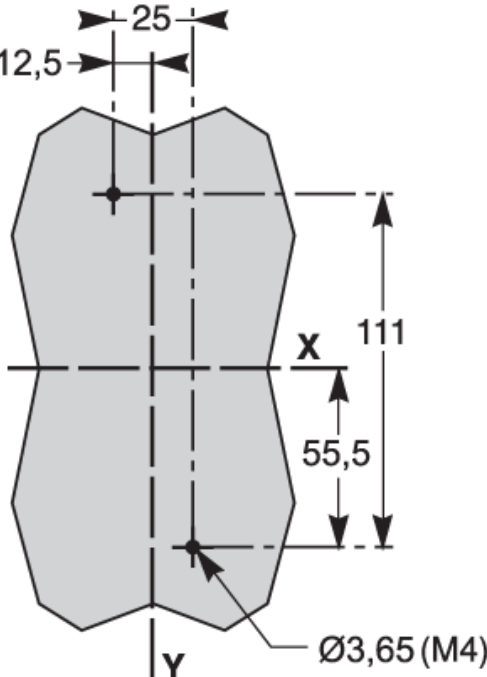


Lembar data produk

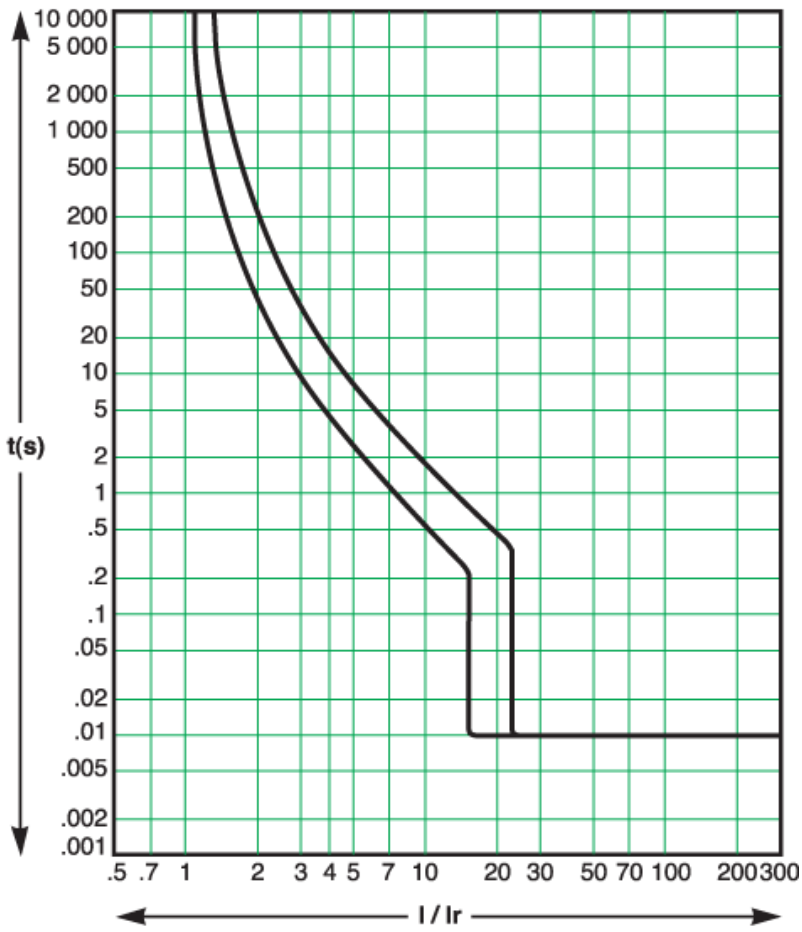
LV510930

Assembly

3P



# 16 A



Penggantian yang disarankan