

Lembar data produk

Spesifikasi



EasyPact CVS - CVS400N TM320D circuit breaker - 4P/3d

LV540318

Main

| | |
|--|--|
| Range | EasyPact |
| Product name | EasyPact CVS |
| Device short name | CVS400N |
| Product or component type | Circuit breaker |
| Device application | Distribution |
| Poles description | 4P |
| Protected poles description | 3D |
| Earth leakage protection (Vigi add on) | Without |
| [In] rated current | 320 A at 40 °C |
| Network type | AC |
| Utilisation category | Category A |
| [Icu] Breaking capacity | 70 kA Icu at 220/240 V AC 50/60 Hz conforming to IEC 60947-2 50 kA Icu at 380/415 V AC 50/60 Hz conforming to IEC 60947-2 42 kA Icu at 440 V AC 50/60 Hz conforming to IEC 60947-2 |
| Trip unit name | TM-D |
| Trip unit technology | Thermal-magnetic |
| Trip unit rating | 320 A at 40 °C |
| Protection type | Short-circuit protection (magnetic) Overload protection (thermal) |

Complementary

| | |
|--|--|
| [Uimp] rated impulse withstand voltage | 8 kV conforming to EN/IEC 60947-2 |
| Network frequency | 50/60 Hz |
| Breaking capacity code | N |
| [Ics] rated service breaking capacity | 70 kA at 220/240 V AC 50/60 Hz conforming to IEC 60947-2 50 kA at 380/415 V AC 50/60 Hz conforming to IEC 60947-2 32 kA at 440 V AC 50/60 Hz conforming to IEC 60947-2 |
| Neutral position | Left |
| Mechanical durability | 15000 cycles |
| Electrical durability | 6000 cycles 415 V In conforming to IEC 60947-2 |
| Control type | Toggle |

| | |
|---|--------------------|
| Thermal protection adjustment range | 224...320 A |
| Neutral protection setting | No protection (3D) |
| Long time pick-up adjustment type Ir | Adjustable |
| Long time pick-up adjustment range | 0.7...1 x In |
| Long time delay adjustment type | Fixed |
| Instantaneous pick-up adjustment type li | Adjustable |
| Instantaneous pick-up adjustment range | 5...10 x In |
| Contact position indicator | Yes |
| Mounting mode | Fixed |
| Mounting support | Backplate |
| Upside connection | Front |
| Downside connection | Front |
| Connections - terminals | Screw connection |
| Connection pitch | 45 mm |
| Compatibility code | CVS400 |
| Width | 185 mm |
| Depth | 110 mm |
| Height | 255 mm |
| Product weight | 6.3 kg |

Environment

| | |
|--|-----------------------------|
| Standards | EN 60947-2 IEC 60947-2 |
| Product certifications | GOST IEC |
| Electrical shock protection class | Class II |
| Pollution degree | 3 conforming to IEC 60664-1 |
| IP degree of protection | IP40 |
| Ambient air temperature for operation | -25...70 °C |
| Ambient air temperature for storage | -50...85 °C |

Packing Units

| | |
|-------------------------------------|----------|
| Unit Type of Package 1 | PCE |
| Number of Units in Package 1 | 1 |
| Package 1 Height | 24.4 cm |
| Package 1 Width | 16.0 cm |
| Package 1 Length | 30.0 cm |
| Package 1 Weight | 6.039 kg |

Offer Sustainability

| | |
|-----------------------------------|---|
| Sustainable offer status | Green Premium product |
| REACH Regulation | REACH Declaration |
| EU RoHS Directive | Compliant EU RoHS Declaration |
| Mercury free | Yes |
| China RoHS Regulation | China RoHS declaration Product out of China RoHS scope. Substance declaration for your information |
| RoHS exemption information | Yes |
| Environmental Disclosure | Product Environmental Profile |
| Circularity Profile | End of Life Information |
| WEEE | The product must be disposed on European Union markets following specific waste collection and never end up in rubbish bins |
| PVC free | Yes |

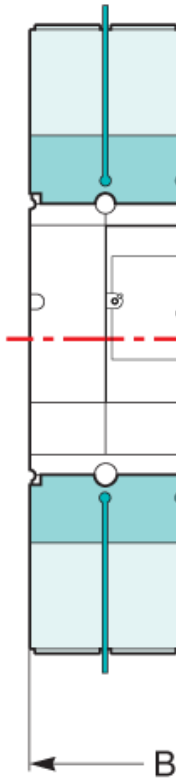
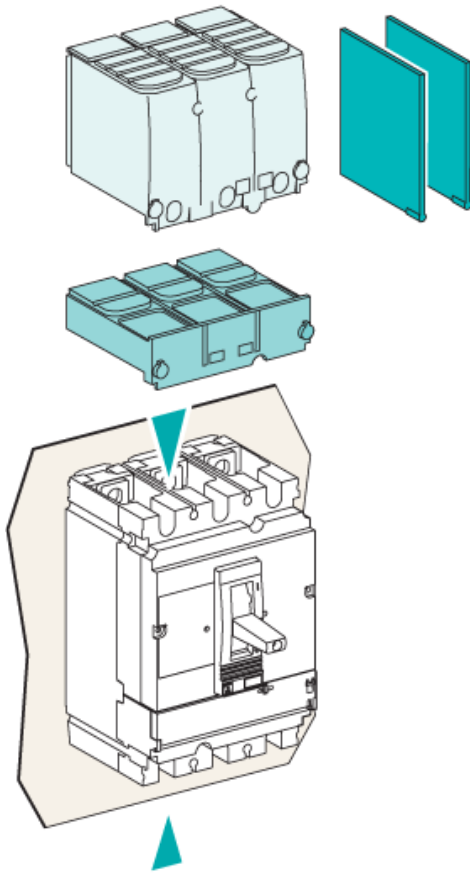
Contractual warranty

| | |
|-----------------|-----------|
| Warranty | 12 months |
|-----------------|-----------|

Lembar data produk

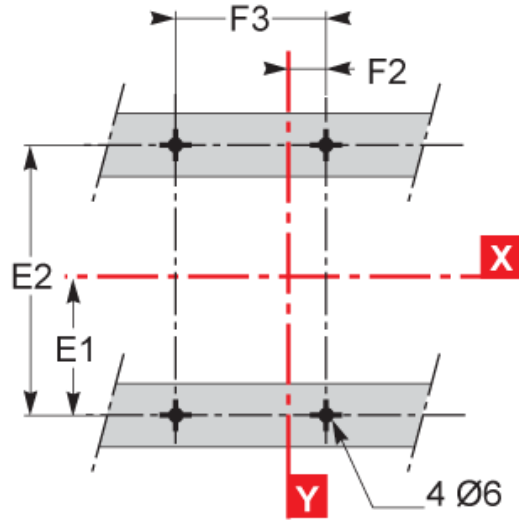
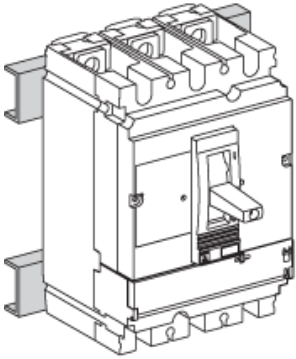
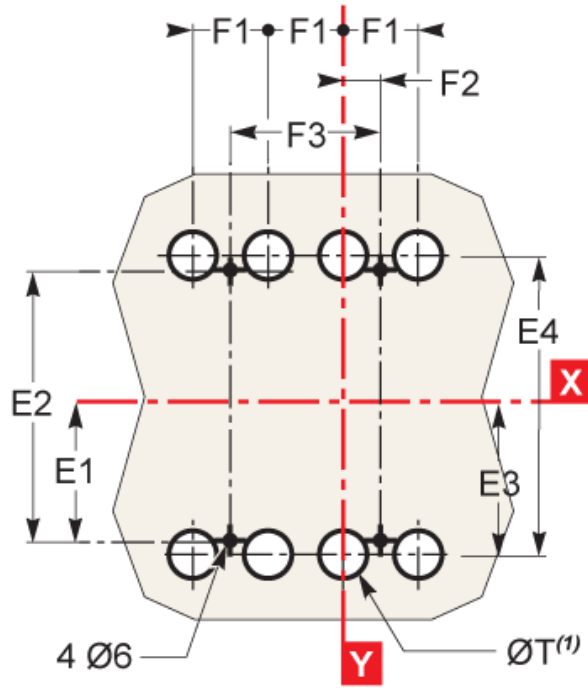
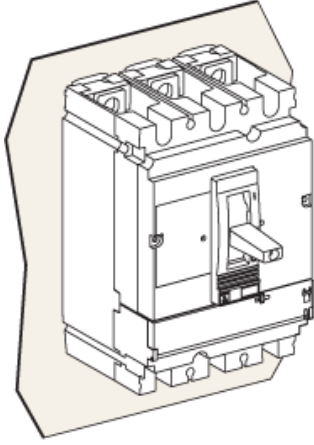
Dimensions Drawings

LV540318



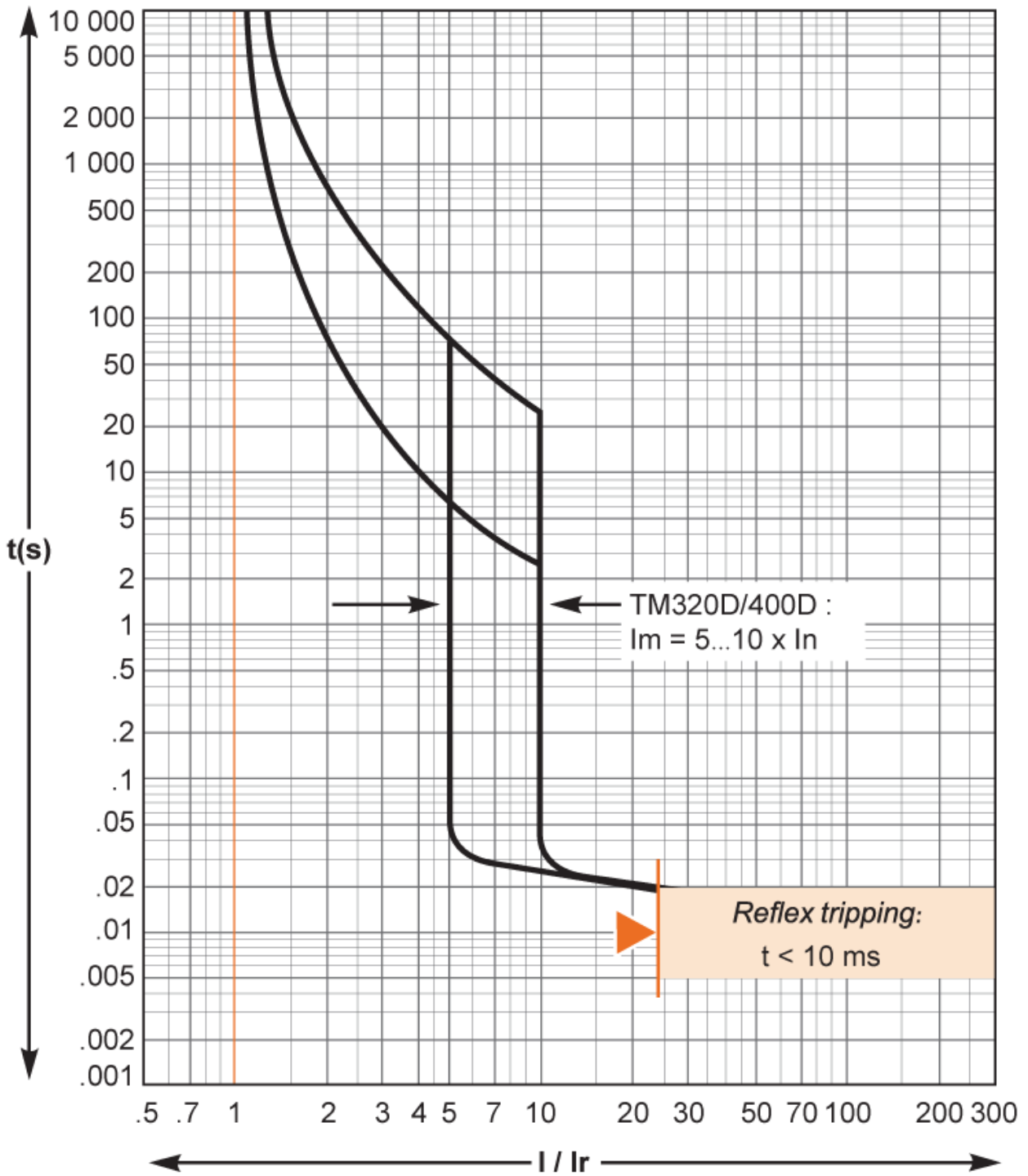
| Type | A | A1 | A2 | A3 | A4 | A5 | A6 | A7 | A8 | A9 | B | B1 | B2 | C1 | C2 | C3 | E1 |
|----------------|-------|-------|-------|-------|-------|-------|-----|-------|------|-------|------|-----|------|------|------|--------------------|------|
| CVS100/160/250 | 80.5 | 161 | 94 | 145 | 178.5 | 155.5 | 236 | 169 | 220 | 253.5 | 52.5 | 105 | 140 | 81 | 86 | 111 ⁽²⁾ | 62.5 |
| CVS400/630 | 127.5 | 255 | 142.5 | 200 | 237 | 227.5 | 355 | 242.5 | 300 | 337 | 70 | 140 | 185 | 95.5 | 110 | 168 | 100 |
| Type | E2 | E3 | E4 | E5 | E6 | E7 | E8 | F1 | F2 | F3 | G1 | G2 | G3 | G4 | G5 | G7 | U |
| CVS100/160/250 | 125 | 70 | 140 | 137.5 | 200 | 145 | 215 | 35 | 17.5 | 70 | 96 | 75 | 13.5 | 23 | 17.5 | 24 | y 32 |
| CVS400/630 | 200 | 113.5 | 227 | 200 | 300 | 213.5 | 327 | 45 | 22.5 | 90 | - | - | - | - | - | 32 | y 35 |

(2) C3=126mm for EasyPact CVS250B.F.



| Type | A | A1 | A2 | A3 | A4 | A5 | A6 | A7 | A8 | A9 | B | B1 | B2 | C1 | C2 | C3 | E1 |
|----------------|-------|-------|-------|-------|-------|-------|-----|-------|------|-------|------|-----|------|------|------|--------------------|------|
| CVS100/160/250 | 80.5 | 161 | 94 | 145 | 178.5 | 155.5 | 236 | 169 | 220 | 253.5 | 52.5 | 105 | 140 | 81 | 86 | 111 ⁽¹⁾ | 62.5 |
| CVS400/630 | 127.5 | 255 | 142.5 | 200 | 237 | 227.5 | 355 | 242.5 | 300 | 337 | 70 | 140 | 185 | 95.5 | 110 | 168 | 100 |
| Type | E2 | E3 | E4 | E5 | E6 | E7 | E8 | F1 | F2 | F3 | G1 | G2 | G3 | G4 | G5 | ØT | U |
| CVS100/160/250 | 125 | 70 | 140 | 137.5 | 200 | 145 | 215 | 35 | 17.5 | 70 | 96 | 75 | 13.5 | 23 | 17.5 | 24 | y 32 |
| CVS400/630 | 200 | 113.5 | 227 | 200 | 300 | 213.5 | 327 | 45 | 22.5 | 90 | - | - | - | - | - | 32 | y 35 |

(1) C3=126mm for EasyPact CVS250B.F.



Dimensi



Penggantian yang disarankan