

Lembar data produk

Spesifikasi



circuit breaker EasyPact EZC100N - TMD - 75 A - 4 poles 3d

EZC100N4075

Main

| | |
|--|---|
| Range of product | EasyPact |
| Product or component type | Circuit breaker |
| Device short name | EasyPact EZC100N |
| Circuit breaker name | EasyPact EZC100N |
| Device application | Distribution |
| Poles description | 4P |
| Protected poles description | 3t |
| Network type | DC AC |
| Network frequency | 50/60 Hz |
| [In] rated current | 75 A at 40 °C |
| [Ui] rated insulation voltage | 690 V AC 50/60 Hz conforming to IEC 60947-2 |
| [Uimp] rated impulse withstand voltage | 6 kV conforming to IEC 60947-2 |
| [Ue] rated operational voltage | 550 V AC 50/60 Hz conforming to IEC 60947-2 250 V DC conforming to IEC 60947-2 |
| Breaking capacity code | N |
| Breaking capacity | 10 kA Icu at 440 V AC 50/60 Hz conforming to IEC 60947-2 25 kA Icu at 110...130 V AC 50/60 Hz conforming to IEC 60947-2 25 kA Icu at 220...240 V AC 50/60 Hz conforming to IEC 60947-2 5 kA Icu at 125 V DC 1P conforming to IEC 60947-2 5 kA Icu at 250 V DC 2P conforming to IEC 60947-2 5 kA Icu at 550 V AC 50/60 Hz conforming to IEC 60947-2 15 kA Icu at 415 V AC 50/60 Hz conforming to IEC 60947-2 18 kA Icu at 380...400 V AC 50/60 Hz conforming to IEC 60947-2 |
| [Ics] rated service breaking capacity | 5 kA at 440 V AC 50/60 Hz conforming to IEC 60947-2 2.5 kA at 125 V DC conforming to IEC 60947-2 2.5 kA at 250 V DC conforming to IEC 60947-2 2.5 kA at 550 V AC 50/60 Hz conforming to IEC 60947-2 12.5 kA at 220...240 V AC 50/60 Hz conforming to IEC 60947-2 12.5 kA at 110...130 V AC 50/60 Hz conforming to IEC 60947-2 9 kA at 380...400 V AC 50/60 Hz conforming to IEC 60947-2 7.5 kA at 415 V AC 50/60 Hz conforming to IEC 60947-2 |
| Suitability for isolation | Yes conforming to IEC 60947-2 |
| Utilisation category | Category A |
| Trip unit name | TM-D |
| Trip unit technology | Thermal-magnetic |
| Trip unit rating | 75 A at 50 °C |

| | |
|------------------------|---|
| Protection type | Overload protection Short-circuit protection |
|------------------------|---|

| | |
|-------------------------|---------------------------|
| Pollution degree | 3 conforming to IEC 60947 |
|-------------------------|---------------------------|

Complementary

| | |
|---------------------|--------|
| Control type | Toggle |
|---------------------|--------|

| | |
|----------------------|-------|
| Mounting mode | Fixed |
|----------------------|-------|

| | |
|-------------------------|-----------|
| Mounting support | Backplate |
|-------------------------|-----------|

| | |
|--------------------------|-------|
| Upside connection | Front |
|--------------------------|-------|

| | |
|----------------------------|-------|
| Downside connection | Front |
|----------------------------|-------|

| | |
|------------------------------|-------------|
| Mechanical durability | 8500 cycles |
|------------------------------|-------------|

| | |
|------------------------------|---|
| Electrical durability | Category A: 1500 cycles 415 V AC 50/60 Hz conforming to IEC 60947-2 |
|------------------------------|---|

| | |
|-------------------------|-------|
| Connection pitch | 25 mm |
|-------------------------|-------|

| | |
|-------------------------|-----------------------------|
| Local signalling | Positive contact indication |
|-------------------------|-----------------------------|

| | |
|-----------------------------------|--------------------|
| Neutral protection setting | Without protection |
|-----------------------------------|--------------------|

| | |
|---------------------------------|---------|
| Earth-leakage protection | Without |
|---------------------------------|---------|

| | |
|---------------|--------|
| Height | 130 mm |
|---------------|--------|

| | |
|--------------|--------|
| Width | 100 mm |
|--------------|--------|

| | |
|--------------|-------|
| Depth | 60 mm |
|--------------|-------|

Environment

| | |
|------------------|---|
| Standards | JIS C8201-2-2 EN/IEC 60947-1 EN/IEC 60947-2 GB/T 14048.2 |
|------------------|---|

| | |
|--------------------------------|------------------------------|
| IP degree of protection | IP20 conforming to IEC 60529 |
|--------------------------------|------------------------------|

| | |
|--------------------------------|-----------------------------|
| IK degree of protection | IK07 conforming to EN 50102 |
|--------------------------------|-----------------------------|

| | |
|--|-------------|
| Ambient air temperature for operation | -25...70 °C |
|--|-------------|

| | |
|--|-------------|
| Ambient air temperature for storage | -35...85 °C |
|--|-------------|

Packing Units

| | |
|-------------------------------|-----|
| Unit Type of Package 1 | PCE |
|-------------------------------|-----|

| | |
|-------------------------------------|---|
| Number of Units in Package 1 | 1 |
|-------------------------------------|---|

| | |
|-------------------------|--------|
| Package 1 Height | 9.5 cm |
|-------------------------|--------|

| | |
|------------------------|-------|
| Package 1 Width | 14 cm |
|------------------------|-------|

| | |
|-------------------------|---------|
| Package 1 Length | 10.4 cm |
|-------------------------|---------|

| | |
|-------------------------|----------|
| Package 1 Weight | 1.053 kg |
|-------------------------|----------|

| | |
|-------------------------------|-----|
| Unit Type of Package 2 | S02 |
|-------------------------------|-----|

| | |
|-------------------------------------|---|
| Number of Units in Package 2 | 9 |
|-------------------------------------|---|

| | |
|-------------------------|-------|
| Package 2 Height | 15 cm |
|-------------------------|-------|

| | |
|------------------------|-------|
| Package 2 Width | 30 cm |
|------------------------|-------|

| | |
|-------------------------|-------|
| Package 2 Length | 40 cm |
|-------------------------|-------|

| | |
|-------------------------|---------|
| Package 2 Weight | 9.72 kg |
|-------------------------|---------|

| | |
|-------------------------------|-----|
| Unit Type of Package 3 | P12 |
|-------------------------------|-----|

| | |
|-------------------------------------|-----|
| Number of Units in Package 3 | 288 |
|-------------------------------------|-----|

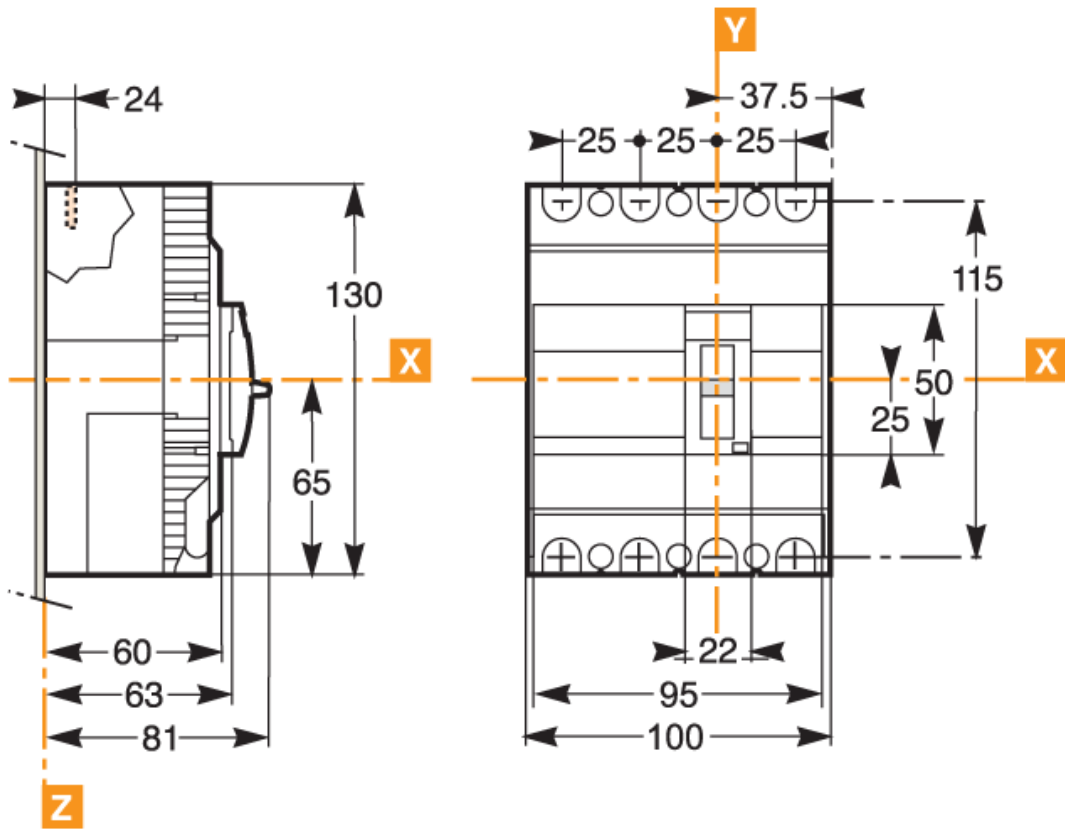
| | |
|------------------|------------|
| Package 3 Height | 75 cm |
| Package 3 Width | 80 cm |
| Package 3 Length | 120 cm |
| Package 3 Weight | 328.264 kg |

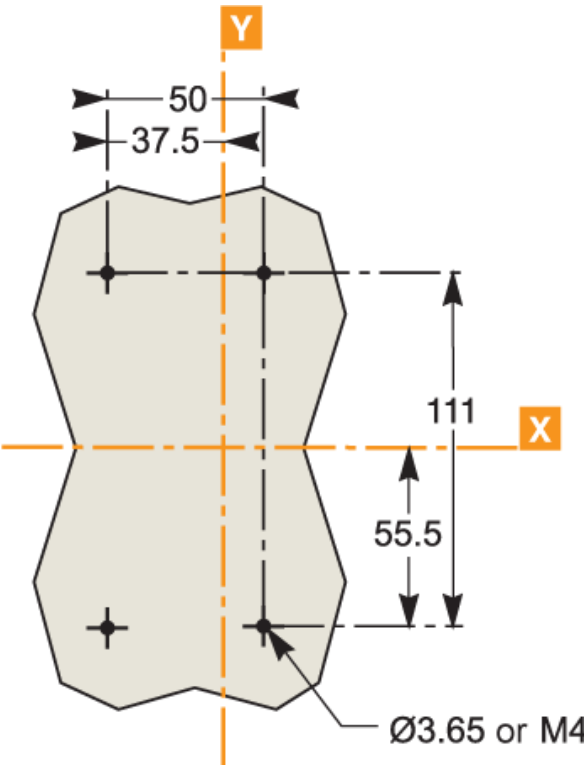
Offer Sustainability

| | |
|----------------------------|---|
| Sustainable offer status | Green Premium product |
| REACH Regulation | REACH Declaration |
| REACH free of SVHC | Yes |
| EU RoHS Directive | Compliant EU RoHS Declaration |
| Toxic heavy metal free | Yes |
| Mercury free | Yes |
| China RoHS Regulation | China RoHS declaration |
| RoHS exemption information | Yes |
| Environmental Disclosure | Product Environmental Profile |
| WEEE | The product must be disposed on European Union markets following specific waste collection and never end up in rubbish bins |

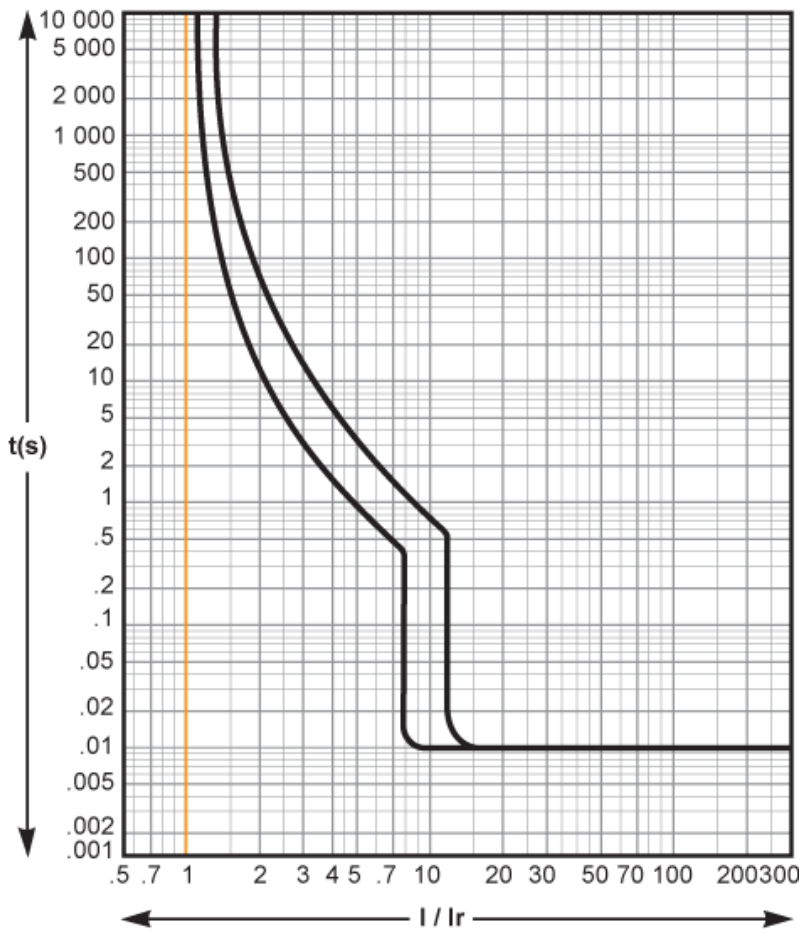
Contractual warranty

| | |
|----------|-----------|
| Warranty | 12 months |
|----------|-----------|





Performance Curves



Penggantian yang disarankan