

Product datasheet

Specifications



circuit breaker EasyPact EZC250H - TMD - 100 A - 4 poles 3d

EZC250H4100

! Discontinued on: 22 July 2020

! Discontinued

Main

Range of product	EasyPact
Product or component type	Circuit breaker
Device short name	EasyPact EZC250H
Circuit breaker name	EasyPact EZC250H
Device application	Distribution
Poles description	4P
Protected poles description	3t
Network type	AC DC
Network frequency	50/60 Hz
[In] rated current	100 A at 40 °C
[Ui] rated insulation voltage	690 V AC 50/60 Hz conforming to IEC 60947-2
[Uimp] rated impulse withstand voltage	6 kV conforming to IEC 60947-2
[Ue] rated operational voltage	550 V AC 50/60 Hz conforming to IEC 60947-2 250 V DC conforming to IEC 60947-2
Breaking capacity code	H
Breaking capacity	10 kA Icu at 550 V AC 50/60 Hz conforming to IEC 60947-2 25 kA Icu at 440 V AC 50/60 Hz conforming to IEC 60947-2 30 kA Icu at 125 V DC 1P conforming to IEC 60947-2 30 kA Icu at 250 V DC 2P conforming to IEC 60947-2 85 kA Icu at 220...240 V AC 50/60 Hz conforming to IEC 60947-2 36 kA Icu at 380...415 V AC 50/60 Hz conforming to IEC 60947-2
[Ics] rated service breaking capacity	5 kA at 550 V AC 50/60 Hz conforming to IEC 60947-2 15 kA at 125 V DC conforming to IEC 60947-2 15 kA at 250 V DC conforming to IEC 60947-2 12.5 kA at 440 V AC 50/60 Hz conforming to IEC 60947-2 18 kA at 380...415 V AC 50/60 Hz conforming to IEC 60947-2 42.5 kA at 220...240 V AC 50/60 Hz conforming to IEC 60947-2
Suitability for isolation	Yes conforming to IEC 60947-2
Utilisation category	Category A
Trip unit name	TM-D
Trip unit technology	Thermal-magnetic
Trip unit rating	100 A at 50 °C
Protection type	Short-circuit protection

Overload protection

Pollution degree 3 conforming to IEC 60947

Complementary

Control type Toggle

Mounting mode Fixed

Mounting support Backplate

Upside connection Front

Downside connection Front

Mechanical durability 10000 cycles

Electrical durability Category A: 5000 cycles 415 V AC 50/60 Hz conforming to IEC 60947-2

Connection pitch 35 mm

Local signalling Positive contact indication

Neutral protection setting Without protection

Earth-leakage protection Without

Height 165 mm

Width 140 mm

Depth 60 mm

Environment

Standards EN/IEC 60947-1
EN/IEC 60947-2
GB/T 14048.2
JIS C8201-2-2

IP degree of protection IP20 conforming to IEC 60529

IK degree of protection IK07 conforming to EN 50102

Ambient air temperature for operation -25...70 °C

Ambient air temperature for storage -35...85 °C

Packing Units

Unit Type of Package 1 PCE

Number of Units in Package 1 1

Package 1 Height 11.4 cm

Package 1 Width 11.3 cm

Package 1 Length 18.0 cm

Package 1 Weight 2.24 kg

Unit Type of Package 2 S03

Number of Units in Package 2 6

Package 2 Height 30.0 cm

Package 2 Width 30.0 cm

Package 2 Length 40.0 cm

Package 2 Weight 13.927 kg

Unit Type of Package 3 PAL

Number of Units in Package 3 96

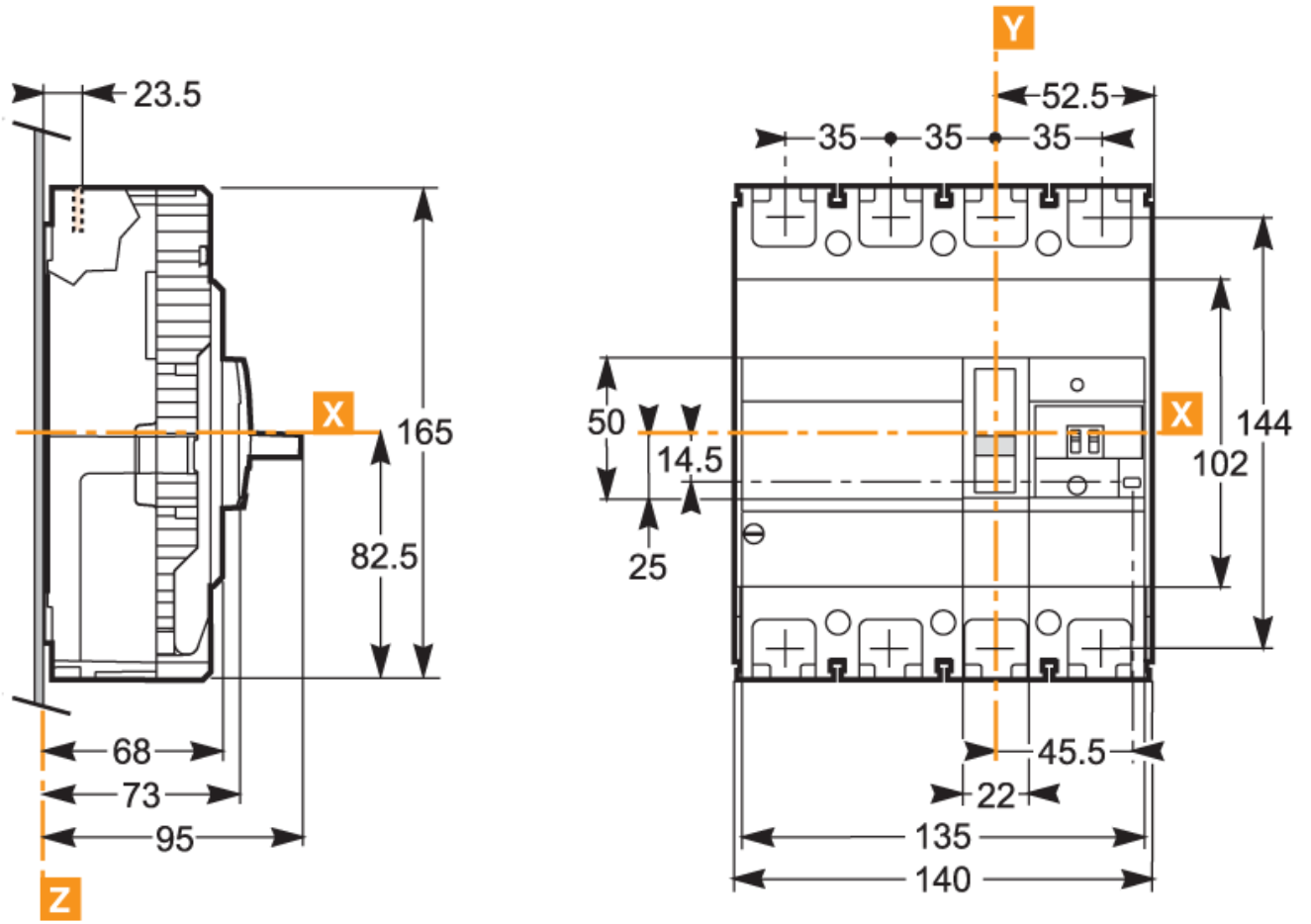
Package 3 Height	72.0 cm
Package 3 Width	125.0 cm
Package 3 Length	96.0 cm
Package 3 Weight	215.04 kg

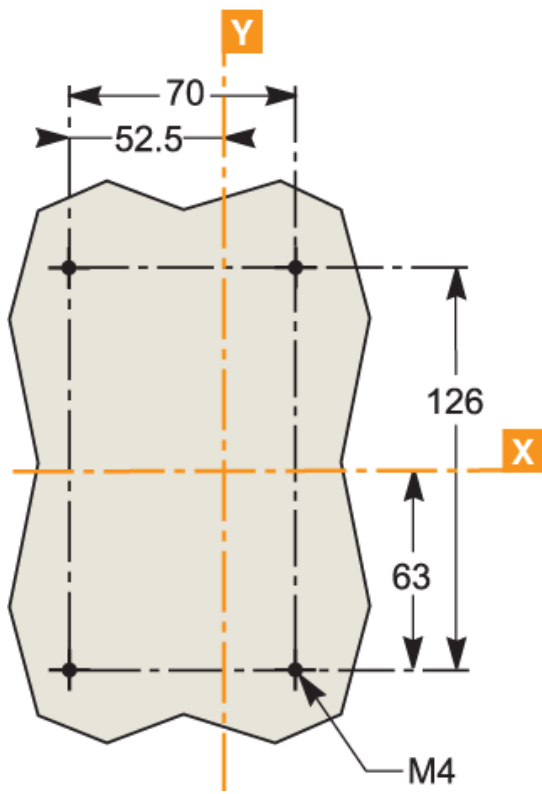
Offer Sustainability

Sustainable offer status	Green Premium product
REACH Regulation	REACH Declaration
REACH free of SVHC	Yes
EU RoHS Directive	Compliant EU RoHS Declaration
Toxic heavy metal free	Yes
Mercury free	Yes
China RoHS Regulation	China RoHS declaration
RoHS exemption information	Yes
Environmental Disclosure	Product Environmental Profile
WEEE	The product must be disposed on European Union markets following specific waste collection and never end up in rubbish bins

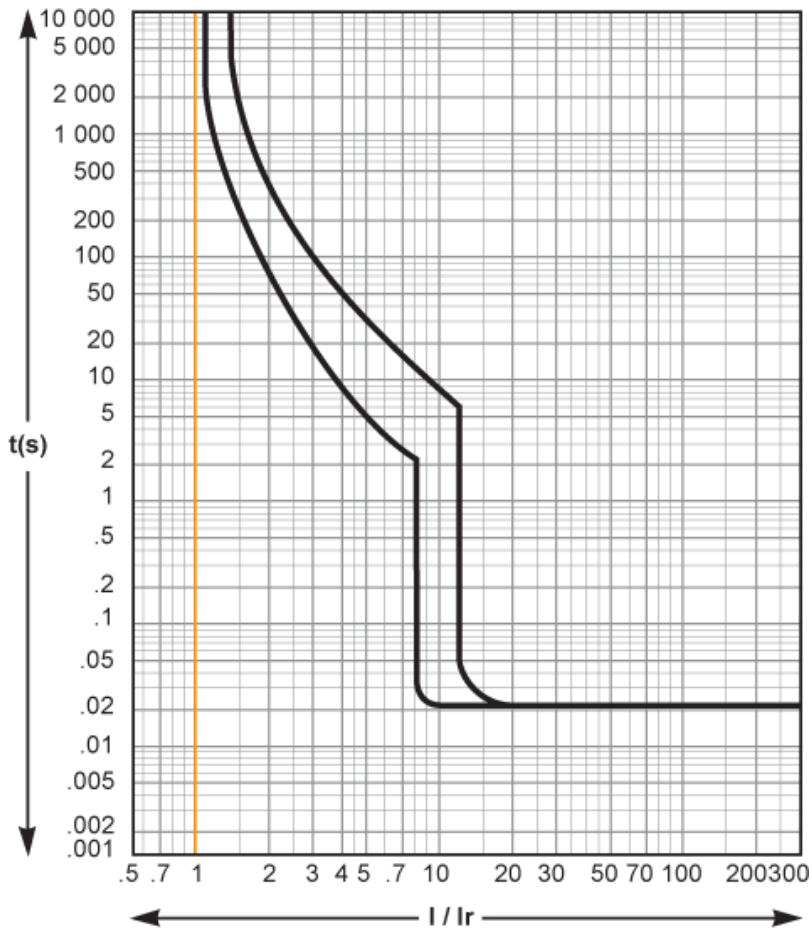
Contractual warranty

Warranty	18 months
----------	-----------





Performance Curves



Recommended replacement(s)