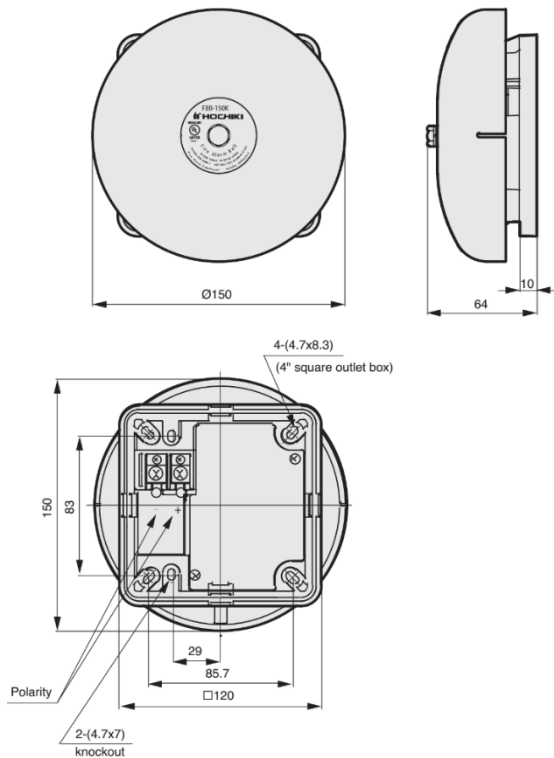


FBB-150K FIRE ALARM BELL



FBB-150K

DIMENSION



Unit: mm

SPECIFICATIONS

Type	Fire Alarm Bell (Indoor Use)
Model	FBB-150K
Alarm Current	13.5mA @24Vdc
Sound Level	75.6 dB (At 10 feet)
Operating Temp. Range	-10°C to 40°C
Material Gong	Aluminum Alloy
Installation Base	Steel Sheet t=1.2mm
Color	Munsell 7.1R3.6/12.8
Weight	Approx. 520g
Country of Origin	China (Quality Check In Japan)
Approval	UL 464

Specifications subject to change without notice

09/2017

HOCHIKI ASIA PACIFIC PTE. LTD.

71 UBI Road 1 #07-40/41
 Oxley Bizhub Singapore 408732
 TEL : 65-6841-9728 FAX : 65-6841-9781
 URL : www.hochikisingsapore.com

HEAD OFFICE

10-43 Kamiosaki 2-Chome. Shinagawa-Ku,
 Tokyo 141-8660 Japan
 TEL : 81-(3)-3444-4116 FAX : 81-(3)-3444-4167
 URL : www.hochiki.co.jp